

WQ/E Series Small Submersible Sewage Pump



- **The flow passage is unobstructed and not easily blocked**
- **Unique combination of mechanical seals and bearings, Shaft depth is short, stiffness is large**
- **Pumps are designed for various installation versions**
- **Mechatronics, Safety and Reliability, Easy Maintenance**

CONTENT

Summary	02
Application	02
Operating condition	02
Structure	03
Pump model	06
Pump curves and parameter	07
Installation version	08
Pump main parts and its material	09
Rotation	10
Cable core marks	10
Purchasing instruction	10
Scope of supply	10
Curves	12
New vs old model comparision	13
Matched control penal selection	14
All wqe curves,parameter and installation diameter	17

Summary

The number sized motor is 7.5KW and below WQE submersible pump is newly launched , Absorbing the advantages of similar products at home and abroad, kaiquan company products in the market over the years of experience in the use of hydraulic model, mechanical structure and sealing aspects of a comprehensive optimization design, and solid and anti-winding performance, high efficiency and energy saving, strong reliability;Simpler structure, easier disassembly, maintenance, more economical and practical;Various installation methods, simplified pump station, and cost saving.

Summary

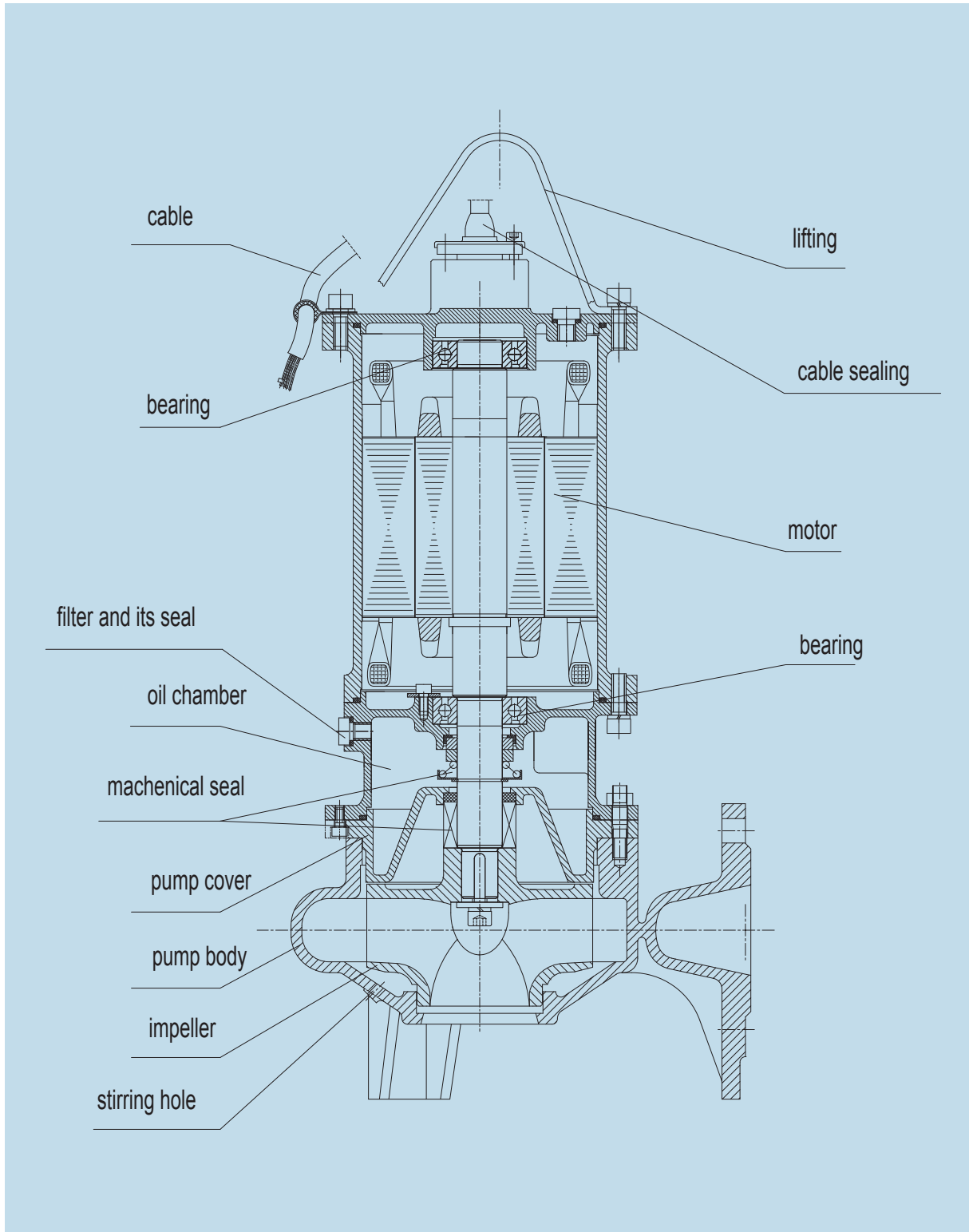
WQ/Esmall submersible pump is suitable for the following applications:raw water supply, irrigation system, ground water lowing, fountain application and mining dewatering.

Operating condition

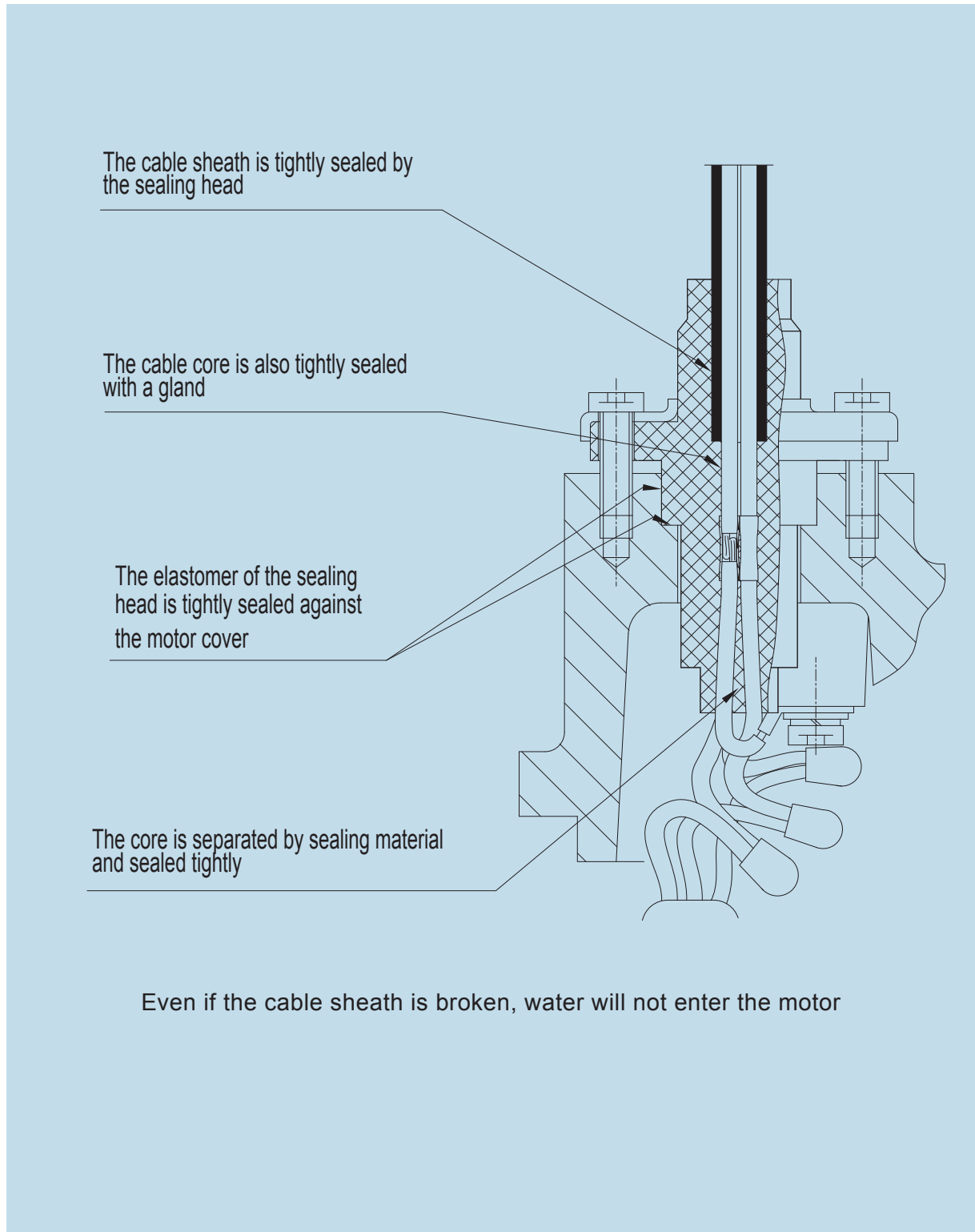
- 1、 380V, 3 phase, 50hz
- 2、 ambient temperature less than 40°C, PH: 4-10、 medium desity $\leq 1050\text{kg/m}^2$ 。
- 3、 lowest installation water level mark as ∇ 。
- 4、 Cannot be used in highly corrosive and abrasive media containing solid particles
- 5、 Clean, thin, non-aggressive liquids without solid particles or fibres which is smaller than 80% of the pass through tunnel.

Structure

Structure:



Cable seal head and cable seal completely:



Benefits of WQ/E small submersible pump :

1、 Selected pump body and impeller

CAD technology is used to modify the design repeatedly, so that the pump body and impeller can get the best match, the fiber, debris is easy to pass, not winding plug. Balance analysis is done in the impeller to ensure the small vibration and smooth operation.

2、 reliable motor

The submersible motor is designed and manufactured with IP68 protection class and F class insulation stator winding. The motor is more durable due to good cooling effect of submersible operation and low actual temperature rise of winding.

Heat releasing is through the motor case, as long as the medium submerged half of the height of the motor stator, operation is reliable and safe, submerged more the better to the cooling of the motor Cable for the sewage heavy resistance rubber set soft cable, chosen cable core section is according to 40 ℃ ambient temperature continuous full load operation which is very reliable. The cable rewinded on the handle to avoid damage during transportation, installation and use.

3、 The motor has a tight seal and the inspection is done strictly.

1) sealing of the shaft

Two independent single end mechanical seals are arranged on the pump side and the motor side respectively, forming two shaft seals. The leakage is only less than one-tenth of the double end mechanical seals. Lubricating oil in the oil chamber lubricates and cools the friction pairs of the two mechanical seals. The pump side mechanical seal of contact medium adopts silicon carbide/silicon carbide "hard to hard" friction pair, with high hardness and low friction coefficient, not easy to wear and failure; The mechanical seal on the motor side soaked in oil as a whole is made of graphite/ silicon carbide "soft to hard" friction pair, with low friction coefficient and easy "run-in", making the seal reliable. Small gap between impeller and pump cover can avoid impurities into the shaft seal cavity, while maintaining good working conditions of mechanical seal. The rubber parts of the mechanical seal are made of butadiene nitrile rubber with excellent oil resistance, and the springs and other structural parts are made of stainless steel.

2) sealing between parts

The o-ring is used as a reliable static seal for the connection.

3) leak inspection

Parts are qualified by the pressure test before assembly to ensure the sealing of the motor.

4、 Reliable bearing configuration

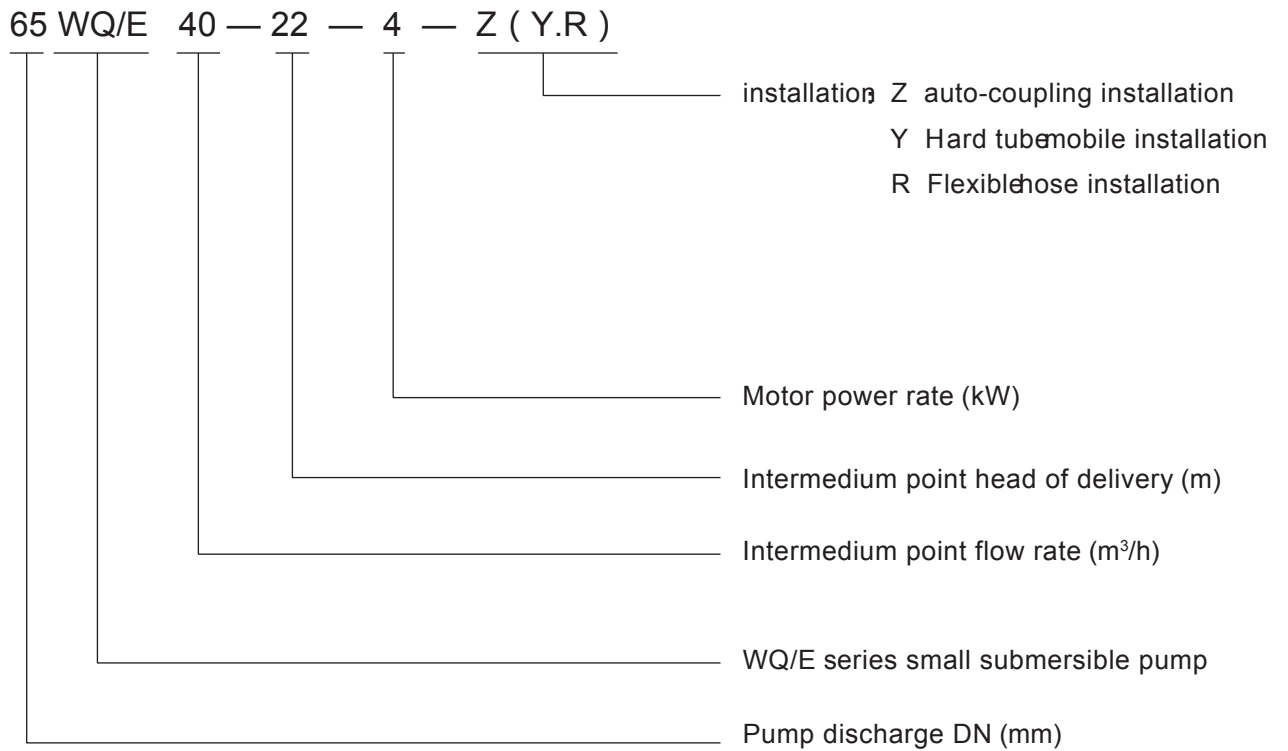
Deep groove ball bearings of famous brand and high quality are selected to ensure the reliable operation of products with sufficient load margin.

5、 Jet mixing function

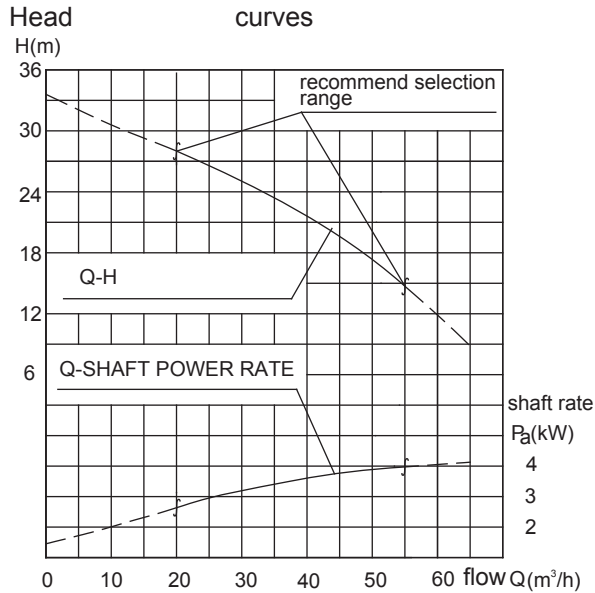
Innovation is to have a Injection stir holes on the pump body, when the pump is running, the pressure inside the pump water jet hole running with a high-speed jet to form strong ag-itation, the larger range of impurities is suspended by pump suction, hence it does not result in a wide range precipitation, better than mechanical agitation on pump suction entrance point.

Pump model

example:



Installation version



parameter

New Model	Original model	channel size (mm)	rotation speed (r/min)	pump wieght (kg)
65WQ/E40-22-4	65WQ/E248-4	ovel 33×40	2890	44
motor rated power (kW)	rated current (A)	motor power rate cosφ	motor E (%)	locked rotor torque/ rated torque
4	8.2	0.87	85.5	2.2

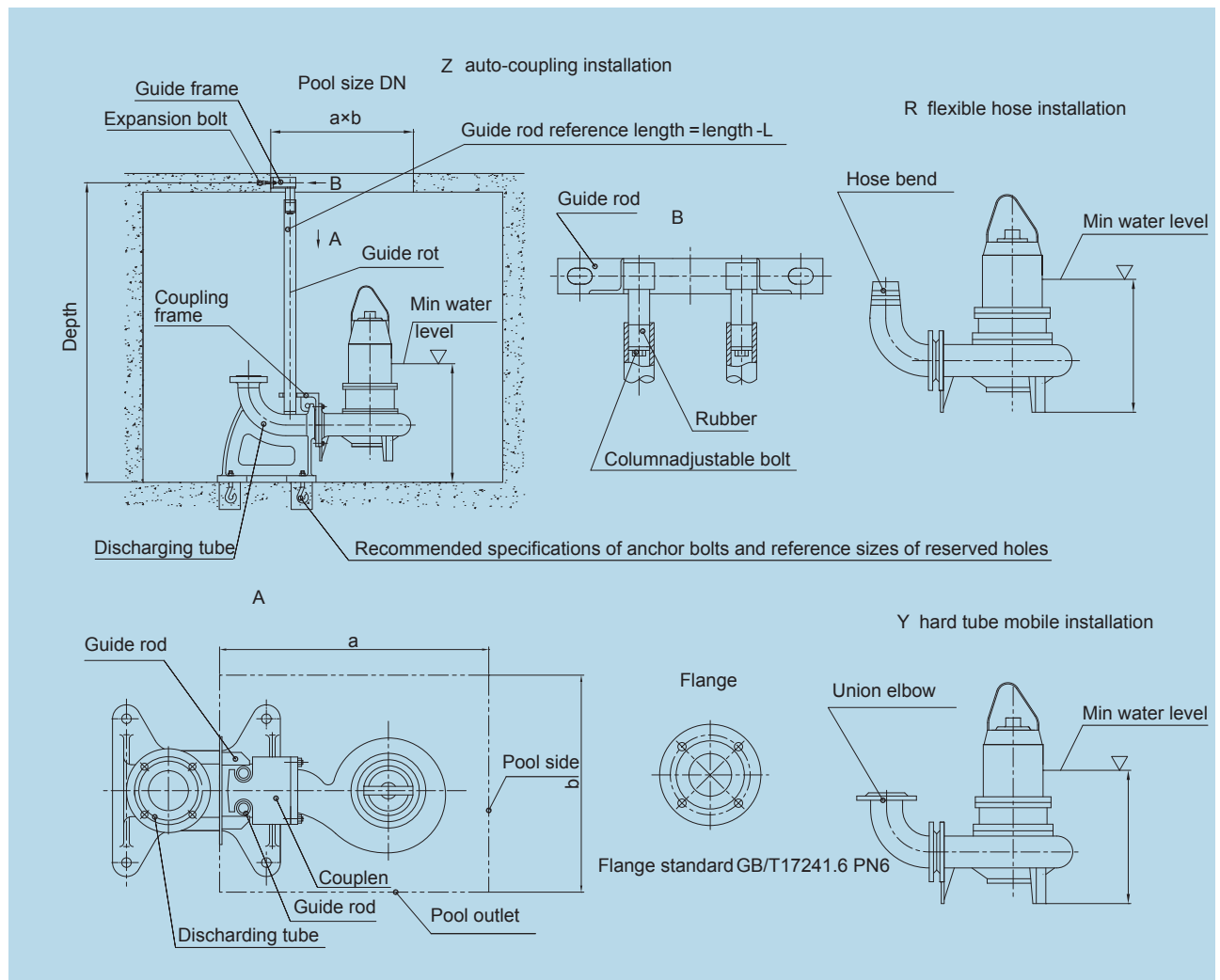
The solid line part of the curve indicates the recommended service range of the pump. The user should carefully calculate the required flow head when selecting the type, so that the selected pump can work within the recommended range.

The diameter of solid in the medium should not be larger than the minimum size of the flow channel, which is recommended to be less than 80% of the minimum size of the flow channel. For example, for the 65WQ/e40-22-4 pump shown, the diameter of the solid should not be greater than 33.0826 mm.

Pump weight does not include all kinds of installation accessories, such as coupling device, elbow, hose elbow, etc.

Installation version

WQ/E pump has automatic coupling type installation (Z), hose mobile installation (R) and hard pipe mobile installation (Y) three installation methods. Hose-mounted and hard-mounted removable tubes are simple and require no elaboration. The following is an introduction to automatic coupling installation:



Automatic coupling installations do not require conventional fasteners to connect the pump to the pipe. Coupling device only outlet pipe seat, guide rod, guide rod frame, coupling frame these four things. Guide rod only plays a guiding role, not force, with ordinary tap water pipe or steel pipe according to the depth of the pool cut into the required length is ok, so users can prepare. When installation, the outlet pipe seat, guide rod, guide rod frame installed, the coupling frame installed on the pump body, the pump, the coupling frame of the semicircle hole through the guide rod, the pump along the guide rod to the bottom, the coupling frame and the outlet pipe seat alignment buckle. When you need to repair the pump, just put the pump up, the pump and the outlet pipe seat off. This installation method is very convenient for pump maintenance.

Since the coupling device and the pump are relatively independent, you can still use the original coupling device if your pump station needs to change to the same caliber pump with low head or high head due to the change of circumstances.

Automatic coupling installation related dimensions hose
movement installation matching hose dimensions

Units: all except inches mm

discharge DN Item	40	50	65	80	100	150	200	
guide rod	1" Tap water pipe /32 3.5 seamless steel pipe					2"/60×5		
guide rod length	pool depth -300	pool depth -305	pool depth -425	pool depth -410	pool depth -435	pool depth -540		
Quantity and specification of anchor bolts	4-M16×220			4-M20×300			4-M24×300	
Quantity and specification of expansion bolts	2-M16×150 I							
Size of reserved hole for anchor bolt	80×80×270			100×100×350				
Specification for hose bend joints to be used	40-6	50-6	50×65-6	65-6	80-6	100-6	150-6	无
The inner diameter of the hose shall be used for hose movement and installation	64	64	76	76	89	102	152	无

Pump main parts and its material

Parts	Pump body, impeller, pump case	Motor case	Shaft	Machanical seal material			
				Motor side friction pair	Pump side friction pair	Springs and structural parts	Rubber parts
Material	HT200	HT200	2Cr13	Graphite/silicon carbide	Silicon carbide/silicon carbide	Stainless Steel	Nitrile rubber

Note: if the customer requires the main parts to be made into ductile iron or other materials, such as 2Cr13, 304, etc., or other special requirements, please contact the sewage pump research group of technical department.

Rotation

See from the pump suction inlet, the impeller for counterclockwise rotation.

Cable core marks

Light blue (U), black (V) and brown (W) are three-phase power lines. The yellow/green wire is the ground wire.

Scope of supply

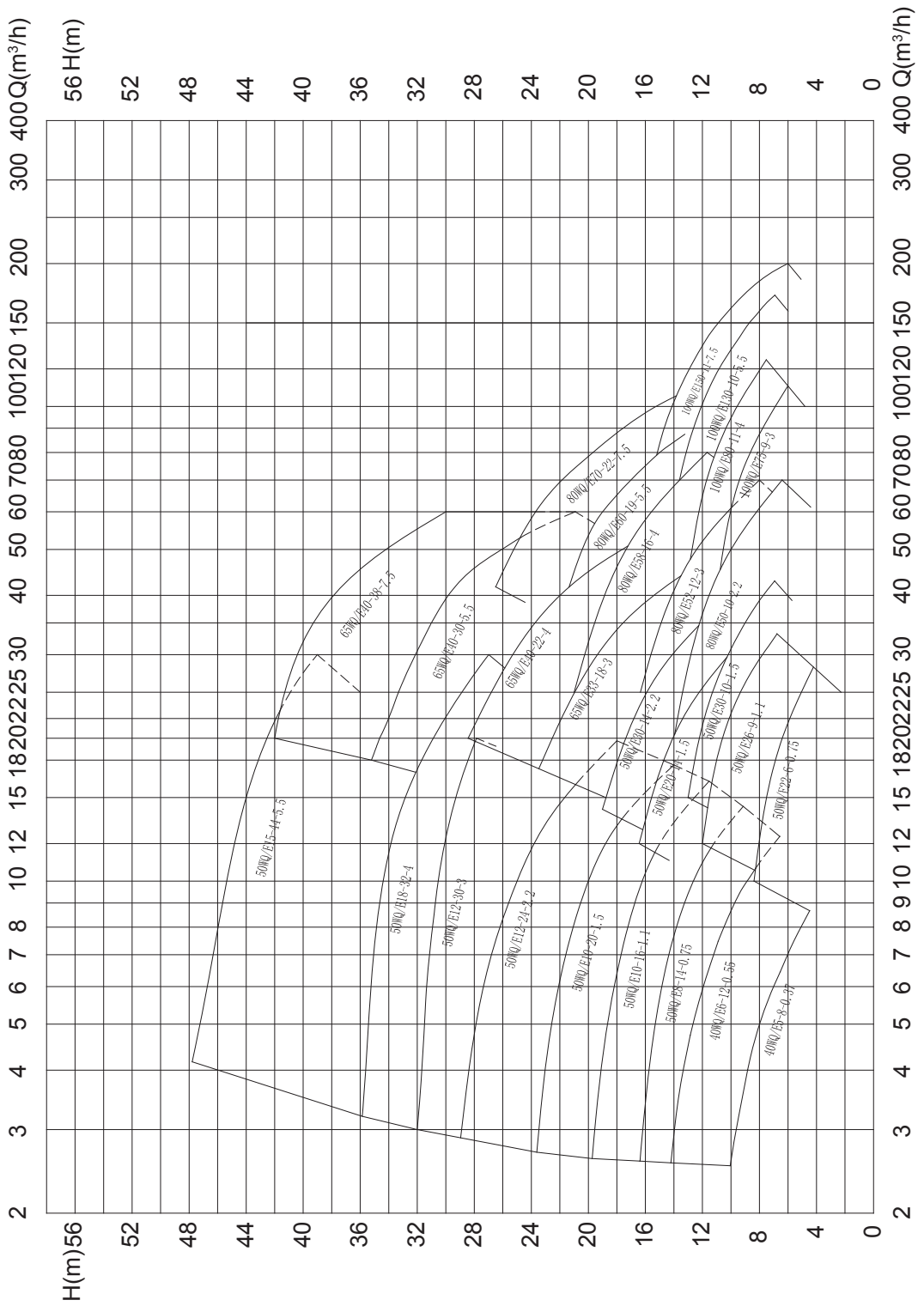
- 1、 Please indicate the product name, model, installation form, optional parts, spare parts, etc.
Type selection should take into account the influence of medium weight on power, warmly welcome users to the company's technical department for technical advice.
- 2、 The standard length of motor cable is 8m. If other length is needed, please note it on the order form.
- 3、 Complete sets of supplies are supplied in accordance with the installation mode selected by users. Optional parts and spare parts shall be separately ordered by the user.
- 4、 Because of the simple design of the coupling device, the guide rod only needs to use ordinary water pipe or steel pipe. We have provided the specification and length calculation method of tap water pipe or steel pipe used as guide rod in the front, users only need to purchase tap water pipe or steel pipe by themselves and cut it into the required length to use, so guide rod is not used as a complete set of supply parts for coupling installation. When the user needs the guide rod provided by our company, he must order and write in the order.

Scope of supply

Installation method	Package of supplies	Optional pick		Parts
Portable hose installation	Main pump, hose elbow (one for each pump)	Soft pipe	Electronic control device, terminal box, gate (butterfly) valve, check valve, steel wire rope and rope clip or chain rope for hanging pump, sewage gate (customized), hoist (customized), rectangular gate (customized)	impeller bearing machtenical seal O ring Impeller fasteners
Remove the hard tube mounting	Main pump, elbow joint (one for each pump)			
Automatic coupling installation	Main pump, automatic coupling device (one set for each pump)	Guide rod foundation bolt expansion bolt		

parts model:

	0.37、0.55	0.75、1.1	1.5、2.2	3		4		5.5、7.5
rotation	2P	2P	2P	2P	4P	2P	4P	2P 4P
cable core	YVC4×1		YVC4×1.5		YVC3×2.5+1×1.5			
upper bearing	6202-ZZ	6203-ZZ	6205-ZZ	6206-ZZ				
down bearing	6203-ZZ	6204-ZZ	6205-ZZ	6206-ZZ				
pump side machanical seal	FU1/16-G60 Q1Q1PGG	FU1/20-G60 Q1Q1PGG	FU1/25-G60 Q1Q1PGG	FU1/30-G60 Q1Q1PGG		FU1/35-G60 Q1Q1PGG		
motor side machanical seal	FD-20-G60 AQ1PGG		FD-25-G60 AQ1PGG		FD-30-G60 AQ1PGG		FD-35-G60 AQ1PGG	
O ring	1-112×3.55 1-122×3.55 1-10×2.65	1-106×3.55 2-122×3.55 2-10×2.65	1-122×3.55 2-132×3.55 2-10×2.65	1-155×3.55 2-160×3.55 2-10×2.65	1-155×3.55 2-160×3.55 2-10×2.65	1-155×3.55 2-180×3.55 2-10×2.65	1-200×5.3 2-180×3.55 2-10×2.65	
O RING material is oil resistant								
impeller fasten parts	nut M8 spring washer 8 flat washer 8	nut M10×1.25 spring wahser 10 impeller plate WQB07-01A	bolt M8×25 spring washer 8 impeller plate WQB07-10	bolt M10×25 spring washer 10 impeller plate WQB07-16		bolt M10×30 spring washer 10 impeller plate WQB07-02B		
	The nuts, screws and spring washers are made of stainless steel and the impeller pressing plate is made of Q235							

Curves
WQ/E small submersible pump curves


WQ/E new VS old model parameter

Serial No.	New model	Old model	Diameter	Flow rate	Head	Rotation speed	Matched power rate	Max pass through partical	Weight
			mm	m ³ /h	m	r/min	kW	mm	kg
1	40WQ/E5- 8- 0.37	40WQ/E264- 0.37	40	5	8	2825	0.37	15	18
2	40WQ/E6- 12- 0.55	40WQ/E265- 0.55	40	6	12	2825	0.55	15	20
3	50WQ/E8- 14- 0.75	50WQ/E256- 0.75	50	8	14	2825	0.75	15	22
4	50WQ/E10- 16- 1.1	50WQ/E257- 1.1	50	10	16	2825	1.1	15	23
5	50WQ/E22- 6- 0.75	50WQ/E240- 0.75	50	22	6	2825	0.75	21	22
6	50WQ/E26- 9- 1.1	50WQ/E249- 1.1	50	26	9	2825	1.1	21	23
7	50WQ/E10- 20- 1.5	50WQ/E258- 1.5	50	10	20	2840	1.5	14	26
8	50WQ/E12- 24- 2.2	50WQ/E259- 2.2	50	12	24	2840	2.2	14	30
9	50WQ/E30- 10- 1.5	50WQ/E241- 1.5	50	30	10	2840	1.5	25	29
10	50WQ/E20- 14- 1.5	50WQ/E242- 1.5	50	20	14	2840	1.5	24	26
11	50WQ/E30- 14- 2.2	50WQ/E243- 2.2	50	30	14	2840	2.2	28	32
12	50WQ/E12- 30- 3	50WQ/E254- 3	50	12	30	2880	3	21	40
13	50WQ/E18- 32- 4	50WQ/E255- 4	50	18	32	2890	4	21	42
14	50WQ/E15- 44- 5.5	50WQ/E262- 5.5	50	15	44	2920	5.5	20	64.5
15	65WQ/E33- 18- 3	65WQ/E251- 3	65	33	18	2880	3	26	42
16	65WQ/E40- 22- 4	65WQ/E248- 4	65	40	22	2890	4	26	44
17	65WQ/E40- 30- 5.5	65WQ/E245- 5.5	65	40	30	2920	5.5	26	63
18	65WQ/E40- 38- 7.5	65WQ/E250- 7.5	65	40	38	2920	7.5	26	73
19	80WQ/E50- 10- 2.2	80WQ/E244- 2.2	80	50	10	2840	2.2	28	35
20	80WQ/E52- 12- 3	80WQ/E261- 3	80	52	12	2880	3	32	44
21	80WQ/E58- 16- 4	80WQ/E260- 4	80	58	16	2890	4	32	45
22	80WQ/E60- 19- 5.5	80WQ/E252- 5.5	80	60	19	2920	5.5	31	64.5
23	80WQ/E70- 22- 7.5	80WQ/E246- 7.5	80	70	22	2920	7.5	31	73
24	100WQ/E75- 9- 3	100WQ/E477- 3	100	75	9	1420	3	48	61
25	100WQ/E80- 11- 4	100WQ/E472- 4	100	80	11	1440	4	48	65
26	100WQ/E130- 10- 5.5	100WQ/E473- 5.5	100	130	10	1440	5.5	51	101
27	100WQ/E150- 11- 7.5	100WQ/E478- 7.5	100	150	11	1440	7.5	51	113

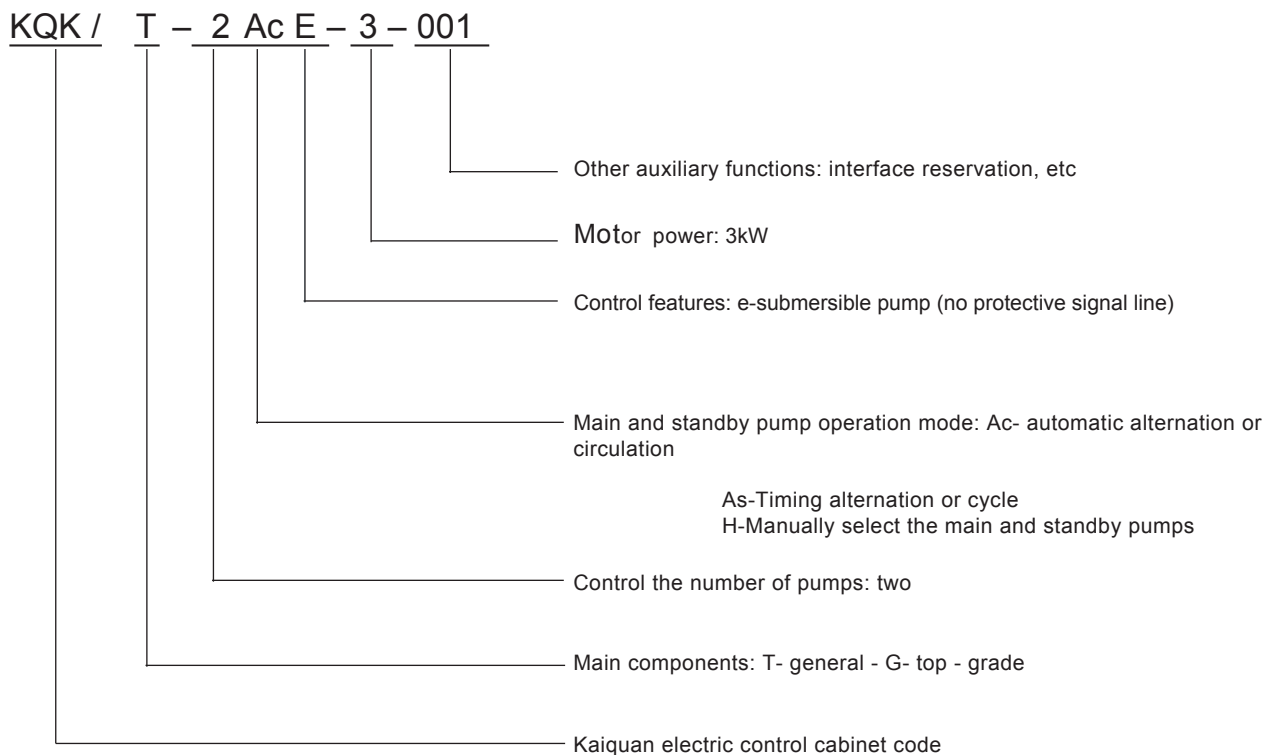
Matched cabinet product

1. Control panel summary

The kqk-e type control cabinet of this series of submersible sewage pump is an economical, safe and reliable automatic control system with simple maintenance. The control cabinet is equipped with low voltage electrical appliances and liquid level sensors of famous brands at home and abroad, with protection functions such as short circuit, missing phase and overload. The control cabinet can be controlled by common relay or panel controller, and equipped with float level switch, water level electrode and other level sensors. Under the unattended condition, the water pump can be started and stopped automatically according to the level. In addition to the single control products, all the products with the control of the main and standby pumps have the function of self-closing the faulty pump and automatic input of the standby pump. Two and three pump control cabinet can achieve automatic alternating or cycle operation, to achieve the running time of each pump is equal.

General configuration of the control cabinet components are mainly tianzheng, zhengtai, delixi and other well-known domestic brands; The high-end control cabinet components mainly include schneider, Siemens, ABB and other internationally renowned brands. For the control cabinet with one and two controls, if the panel controller scheme is adopted, the size of the cabinet is 400 300 200 (height width thickness).

2. Control cabinet model name method



3. Matching control cabinet model selection

Table 1:

Supporting WQ/E pump (one control one)				
Serial no.	Power rate (kW)	Model of control cabinet		Cabinet size (height×width×thickness)
		Cost saving configuration	High-end configuration	
1	0.37	KQK/T-1E-0.37	KQK/G-1E-0.37	400×300×200
2	0.55	KQK/T-1E-0.55	KQK/G-1E-0.55	400×300×200
3	0.75	KQK/T-1E-0.75	KQK/G-1E-0.75	400×300×200
4	1.1	KQK/T-1E-1.1	KQK/G-1E-1.1	400×300×200
5	1.5	KQK/T-1E-1.5	KQK/G-1E-1.5	400×300×200
6	2.2	KQK/T-1E-2.2	KQK/G-1E-2.2	400×300×200
7	3	KQK/T-1E-3	KQK/G-1E-3	400×300×200
8	4	KQK/T-1E-4	KQK/G-1E-4	400×300×200
9	5.5	KQK/T-1E-5.5	KQK/G-1E-5.5	400×300×200
10	7.5	KQK/T-1E-7.5	KQK/G-1E-7.5	400×300×200

Table2:

Supporting WQ/E pump (one control one)				
Serial no.	Power rate (kW)	Model of control cabinet		Cabinet size (height×width×thickness)
		Cost saving configuration	High-end configuration	
1	0.37	KQK/T-2AcE-0.37	KQK/G-2AcE-0.37	500×400×200
2	0.55	KQK/T-2AcE-0.55	KQK/G-2AcE-0.55	500×400×200
3	0.75	KQK/T-2AcE-0.75	KQK/G-2AcE-0.75	500×400×200
4	1.1	KQK/T-2AcE-1.1	KQK/G-2AcE-1.1	500×400×200
5	1.5	KQK/T-2AcE-1.5	KQK/G-2AcE-1.5	500×400×200
6	2.2	KQK/T-2AcE-2.2	KQK/G-2AcE-2.2	500×400×200
7	3	KQK/T-2AcE-3	KQK/G-2AcE-3	500×400×200
8	4	KQK/T-2AcE-4	KQK/G-2AcE-4	500×400×200
9	5.5	KQK/T-2AcE-5.5	KQK/G-2AcE-5.5	500×400×200
10	7.5	KQK/T-2AcE-7.5	KQK/G-2AcE-7.5	500×400×200

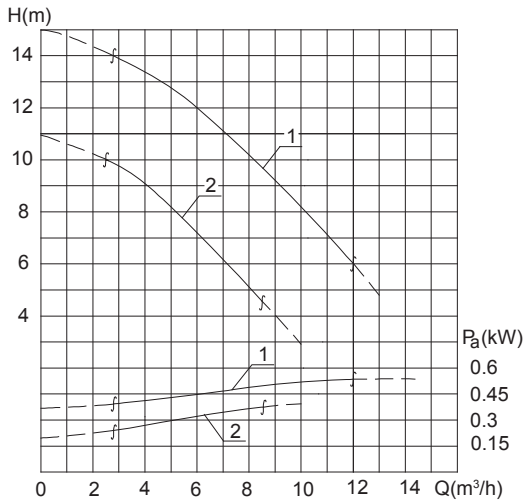
Table 3:

Supporting WQ/E pump (one control one)				
Serial no.	Power rate (kW)	Power rate		Cabinet size (height×width×thickness)
		Cost saving configuration	High-end configuration	
1	0.37	KQK/T-3AcE-0.37	KQK/G-3AcE-0.37	700×500×200
2	0.55	KQK/T-3AcE-0.55	KQK/G-3AcE-0.55	700×500×200
3	0.75	KQK/T-3AcE-0.75	KQK/G-3AcE-0.75	700×500×200
4	1.1	KQK/T-3AcE-1.1	KQK/G-3AcE-1.1	700×500×200
5	1.5	KQK/T-3AcE-1.5	KQK/G-3AcE-1.5	700×500×200
6	2.2	KQK/T-3AcE-2.2	KQK/G-3AcE-2.2	700×500×200
7	3	KQK/T-3AcE-3	KQK/G-3AcE-3	700×500×200
8	4	KQK/T-3AcE-4	KQK/G-3AcE-4	700×500×200
9	5.5	KQK/T-3AcE-5.5	KQK/G-3AcE-5.5	700×500×200
10	7.5	KQK/T-3AcE-7.5	KQK/G-3AcE-7.5	700×500×200

Pump curves, parameter and installation

40WQ/E6-12-0.55 40WQ/E5-8-0.37

curves



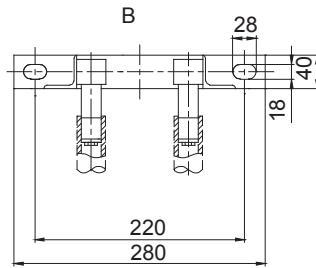
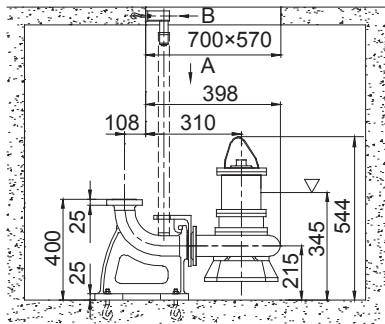
Discharge DN 40mm

Main parameter

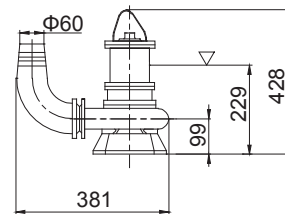
Serial No.	new model	Old model	Pass through channel (mm)	Rotation (r/min)	Weight (kg)
1	40WQ/E6-12-0.55	40WQ/E265-0.55	oval 19×29	2825	20
2	40WQ/E5-8-0.37	40WQ/E264-0.37	oval 19×29	2825	18
	Motor rated power (kW)	Rated current (A)	Motor power cosφ	Motor efficiency (%)	Torque/locked motor
1	0.55	1.4	0.84	73	2.2
2	0.37	1	0.82	70	2.2
	Q-H	Small flow rate	Intermedium	Big flow rate	
1	m³/h—m	2.8-14	6-12	12-6	
2		2.5-10	5-8	8.5-4.5	

Installation chart

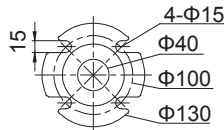
Z auto-coupling



R Flexible hose installation



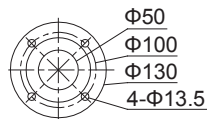
Pump discharge DN



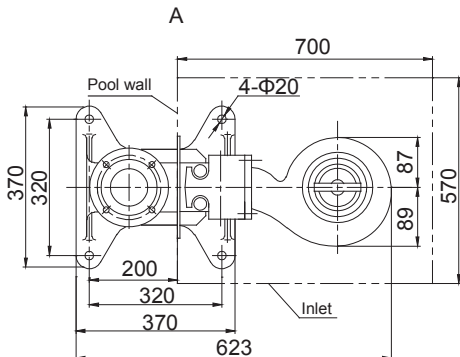
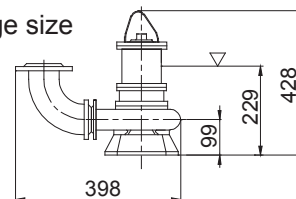
Flange is GB/T17241.6 PN6 standard

Y Hard tube mobile installation

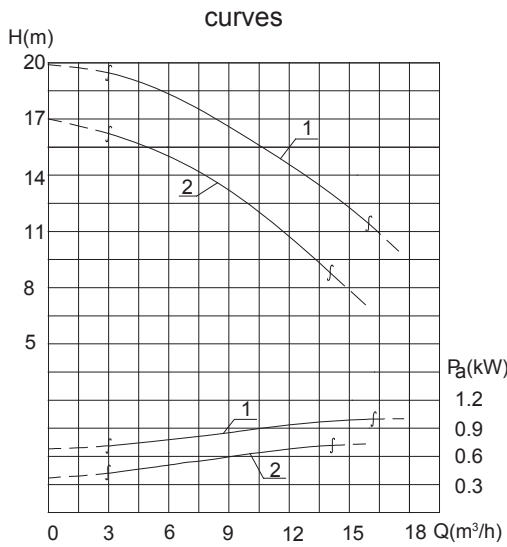
Outlet pipe seat, elbow flange size



Flange GB/T17241.6 PN6 standard



50WQ/E10-16-1.1 50WQ/E8-14-0.75



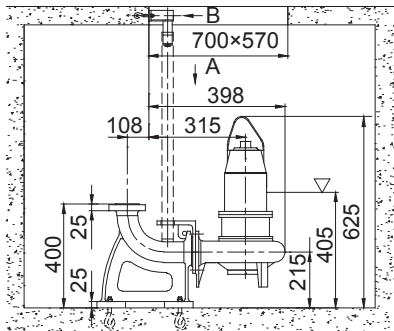
Discharge DN 50mm

Main parameter

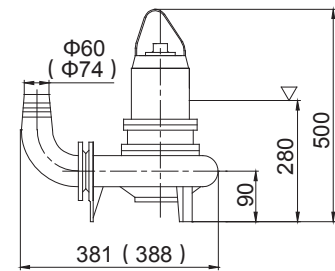
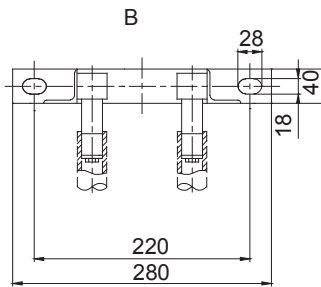
Serial No.	New model	Old model	Pass through channel (mm)	Rotation (r/min)	Weight (kg)
1	50WQ/E10-16-1.1	50WQ/E257-1.1	oval 19×24	2825	23
2	50WQ/E8-14-0.75	50WQ/E256-0.75	oval 19×24	2825	22
Serial No.	Motor rated power (kW)	Rated current (A)	Motor power cosΦ	Motor efficiency (%)	Torque/locked motor
1	1.1	2.5	0.86	77	2.2
2	0.75	1.8	0.84	75	2.2
	Q-H	Small flow rate	Intermedium	Large flow rate	
1	m ³ /h—m	3-19.5	10-16	16-11.5	
2		3-16	8-14	14-9	

Installation chart

Z auto coupling installation

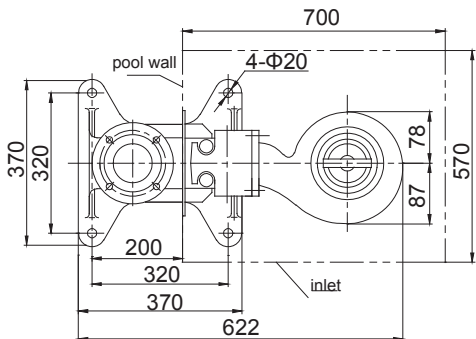


R soft pipemobile installation



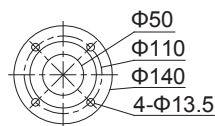
() is the size when installing a 50×65 hose elbow

A

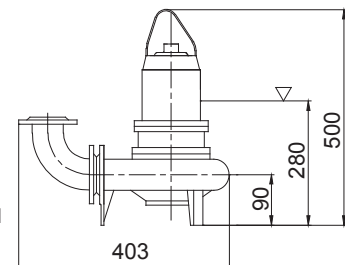


Y Hard tube mobile installation

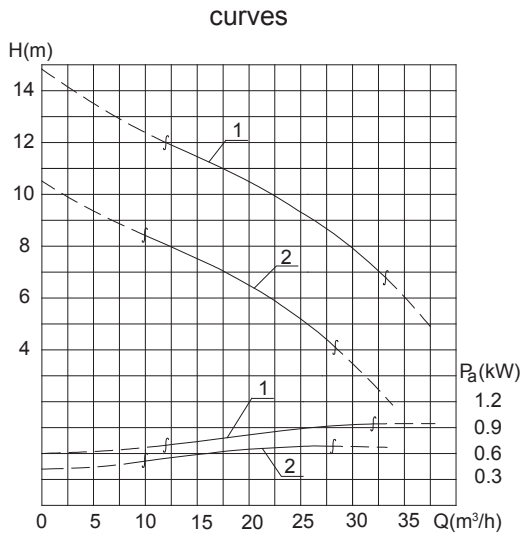
flange DN



Flange is of GB/T17241.6 PN6standard



50WQ/E26-9-1.1 50WQ/E22-6-0.75



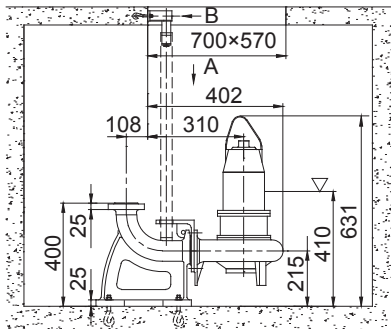
Discharge DN 50mm

Main parameter

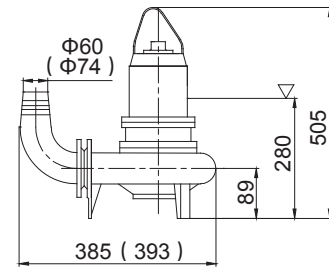
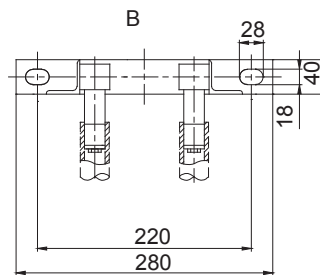
Serial No.	New model	Old model	Pass through channel (mm)	Rotation (r/min)	Weight (kg)
1	50WQ/E26-9-1.1	50WQ/E249-1.1	oval 36×27	2825	23
2	50WQ/E22-6-0.75	50WQ/E240-0.75	oval 36×27	2825	22
Serial No.	Motor rated power (kW)	Rated current (A)	Motor power cosΦ	Motor efficiency (%)	Torque/locked motor
1	1.1	2.5	0.86	77	2.2
2	0.75	1.8	0.83	75	2.2
	Q-H	Small flow rate	Intermedium	Big flow rate	
1	m³/h—m	12-12	26-9	33-6.8	
2		10-8.4	22-6	28-4.1	

Installation chart

Z auto-coupling installation

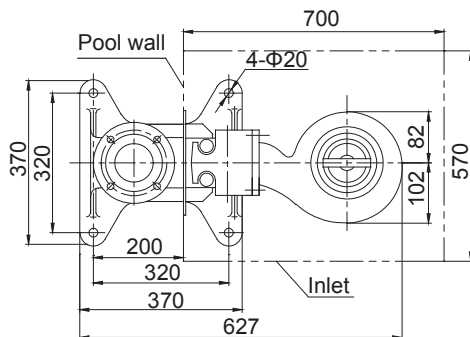


R soft tube mobile installation



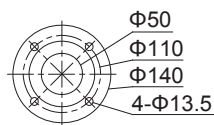
() is the size when installing a 50×65 hose elbow

A

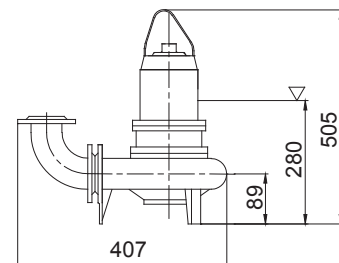


Y hard tube mobile installation

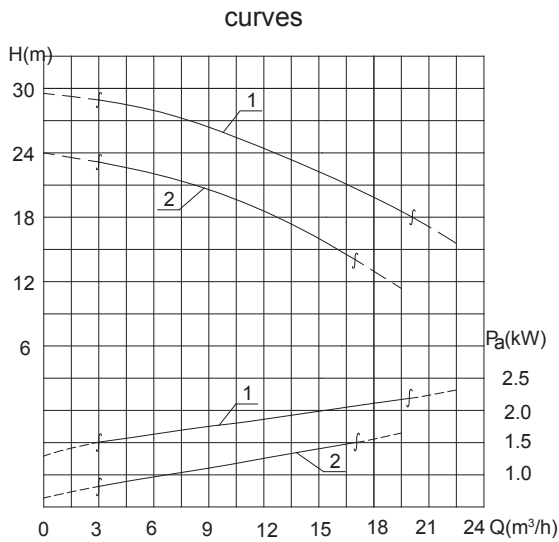
Flange size



Flange is GB/T17241.6 PN6 standard



50WQ/E12-24-2.2 50WQ/E10-20-1.5



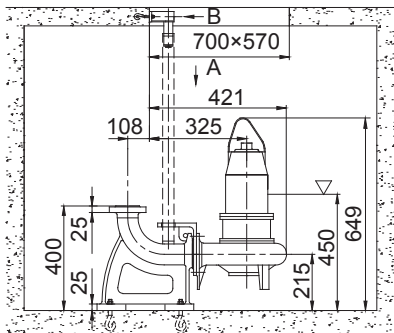
Discharge DN 50mm

Main parameter

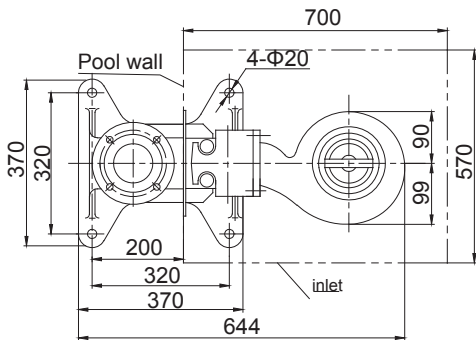
Serial No.	New model	Old model	Pass through channel (mm)	Rotation (r/min)	Weight (kg)
1	50WQ/E12-24-2.2	50WQ/E259-2.2	oval 18×21	2840	30
2	50WQ/E10-20-1.5	50WQ/E258-1.5	oval 18×21	2840	26
Serial No.	Motor rated power (kW)	Rated current (A)	Motor power cosΦ	Motor efficiency (%)	Torque/locked motor
1	2.2	4.7	0.86	82	2.2
2	1.5	3.4	0.85	78	2.2
Q-H		Small flow rate	Intermedium	Big flow rate	
1	m³/h—m	3-29	12-24	20-18	
2		3-23	10-20	17-14	

Installation chart

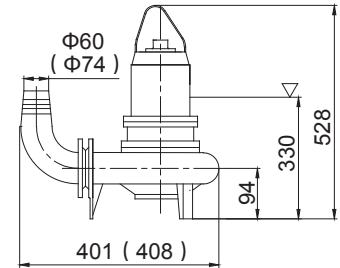
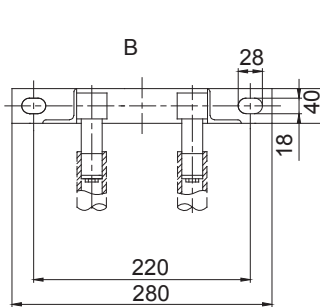
Z auto-coupling



A 向



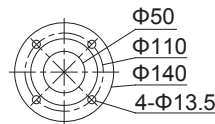
R soft tube mobile installation



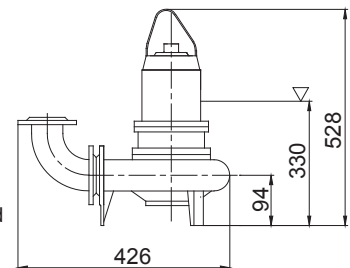
() is the size when installing a 50×65 hose elbow

Y hard tube mobile installation

Flange DN

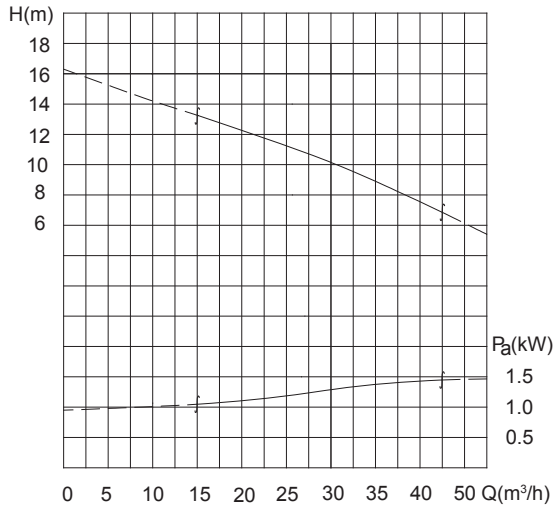


Flange is GB/T17241.6 PN6 standard



50WQ/E30-10-1.5

curves



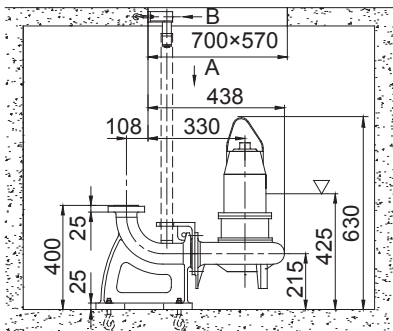
Discharge DN 50mm

Main parameter

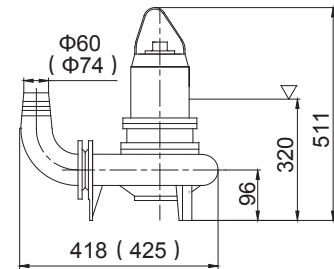
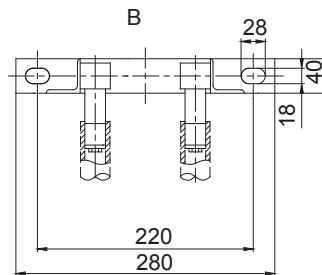
New model	Old model	Pass through channel (mm)	Rotation (r/min)	Weight (kg)
50WQ/E30-10-1.5	50WQ/E241-1.5	oval 43×32	2840	29
Motor rated power (kW)	Rated current (A)	Motor power cosΦ	Motor efficiency (%)	Torque/locked motor
1.5	3.4	0.85	78	2.2
Q-H	Small flow rate	Medium	Large demium	
m³/h—m	15-13.2	30-10	42.5-7	

Installation chart

Z auto-coupling installation

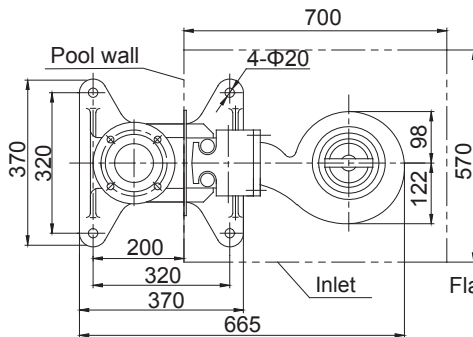


R soft installation

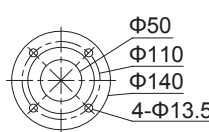


() is the size when installing a 50×65 hose elbow

A

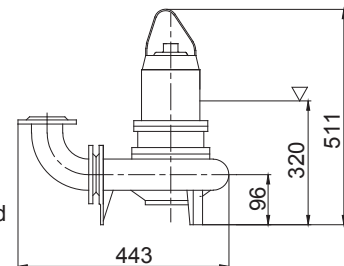


Flange DN

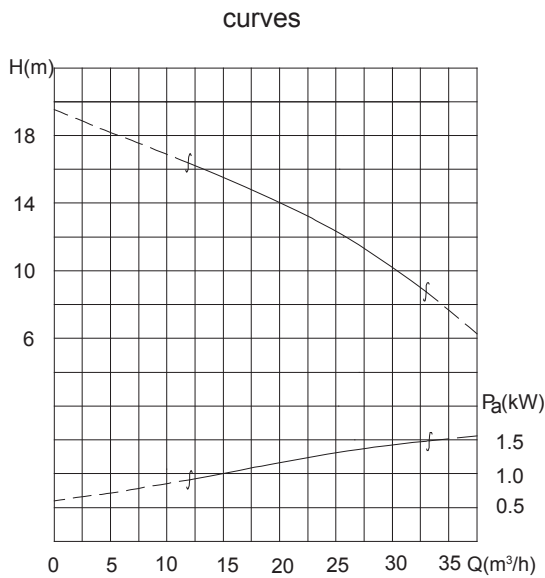


Flange DN is GB/T17241.6 PN6 standard

Y hard tube mobile installation



50WQ/E20-14-1.5



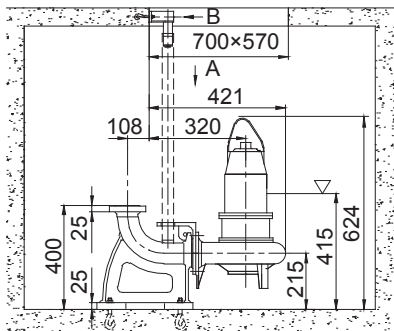
Discharge DN 50mm

Main parameter

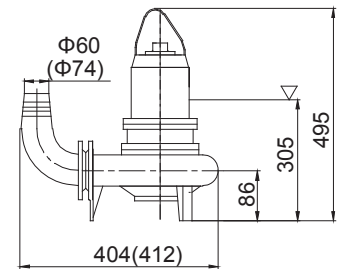
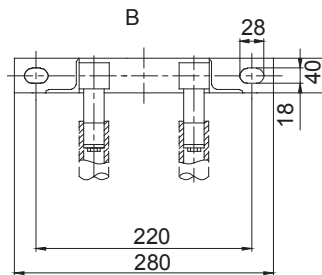
New model	Old model	Pass through channel (mm)	Rotation (r/min)	Weight (kg)
50WQ/E20-14-1.5	50WQ/E242-1.5	oval 31×39	2840	26
Motor rated power (kW)	Rated current (A)	Motor power cosΦ	Motor efficiency (%)	Torque/locked motor
1.5	3.4	0.85	78	2.2
Q-H	small flow rate	medium	large flow rate	
m³/h—m	12-16	20-14	33-8.6	

Installation chart

Z auto-coupling

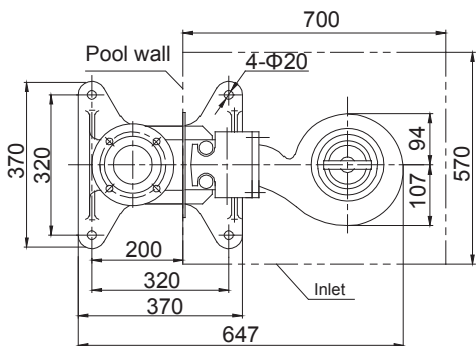


R soft tube mobile installation



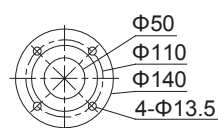
() is the size when installing a 50×65 hose elbow

A

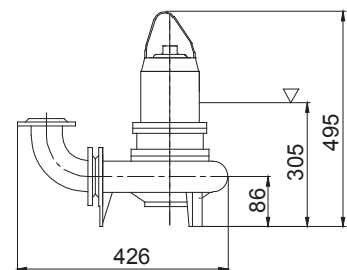


Y hard tube mobile installation

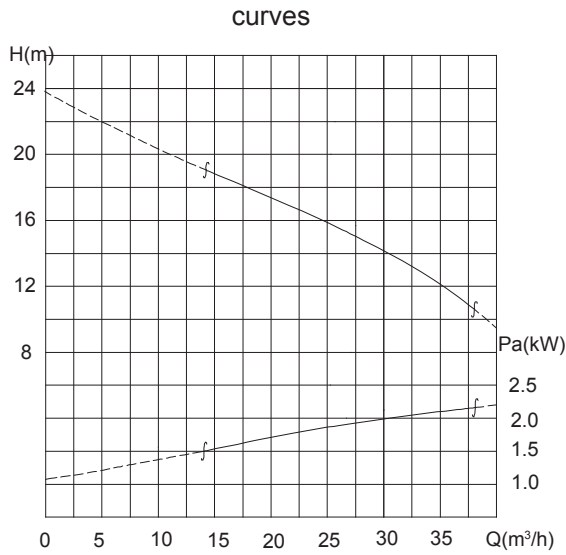
Flange size



GB/T17241.6 PN6 standard



50WQ/E30-14-2.2



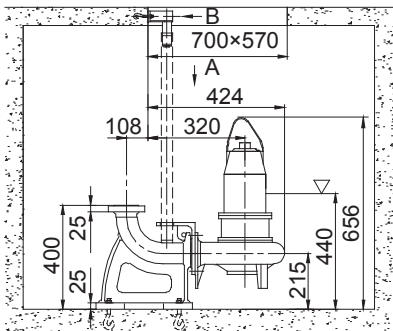
Discharge DN 50mm

Main parameter

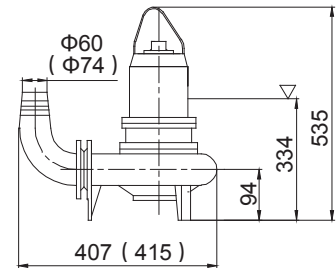
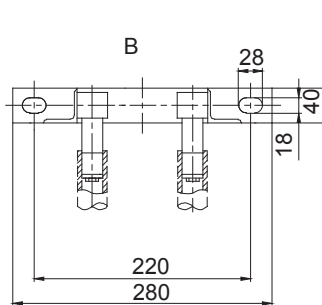
New model	Old model	Pass through channel (mm)	Rotation (r/min)	Weight (kg)
50WQ/E30-14-2.2	50WQ/E243-2.2	ovl 36×38	2840	32
Motor rated power (kW)	Rated current (A)	Motor power cosΦ	Motor efficiency (%)	Torque/locked motor
2.2	4.7	0.86	82	2.2
Q-H	Small flow rate	Medium	Large	
m³/h—m	14-19	30-14	38-10.6	

Installation chart

Z auto-coupling installation

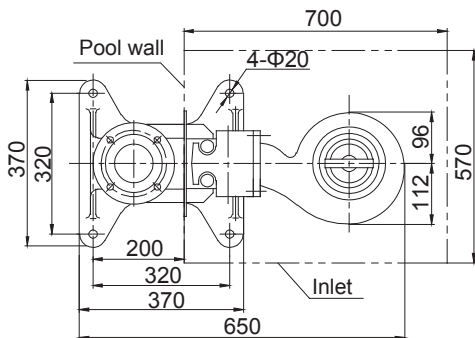


R soft tube mobile installation

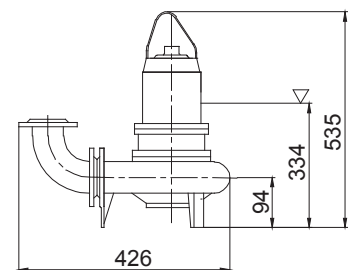


() is the size when installing a 50×65 hose elbow

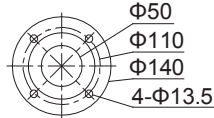
A



Y hard tube installation

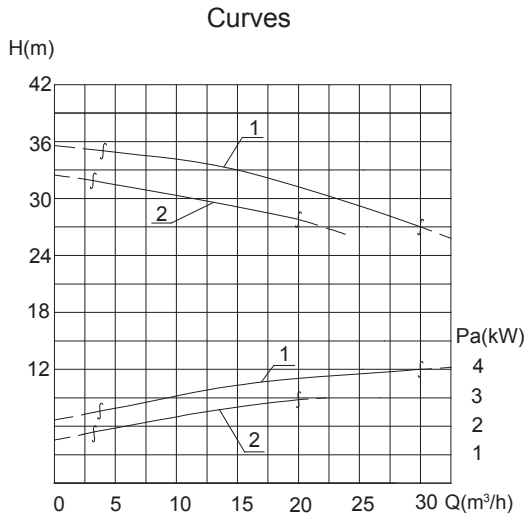


Flange size



GB/T17241.6 PN6 standard

50WQ/E18-32-4 50WQ/E12-30-3



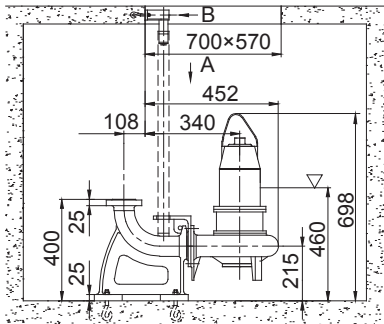
Discharge DN 50mm

Main parameter

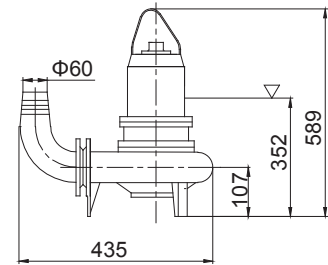
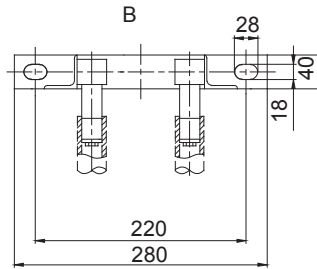
Serial No.	New model	Old model	Pass through channel (mm)	Rotation (r/min)	Weight (kg)
1	50WQ/E18-32-4	50WQ/E245-3	oval 26.5×34	2890	42
2	50WQ/E12-30-3	50WQ/E254-3	oval 26.5×34	2880	40
Serial No.	Motor rated power (kW)	Rated current (A)	Motor power cosΦ	Motor efficiency (%)	Torque/locked motor
1	4	8.2	0.87	85.5	2.2
2	3	6.4	0.87	82	2.2
	Q-H	Small flow rate	Intermedium	Big flow rate	
1	m³/h—m	4-35	18-32	30-27	
2		4-32	12-30	20-28	

Installation chart

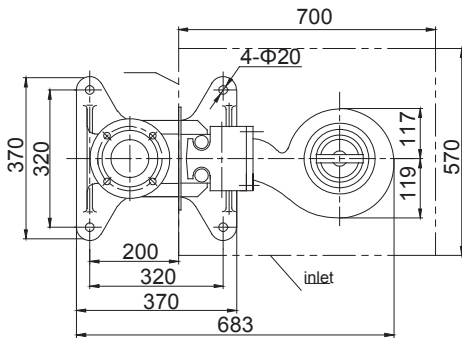
Z auto-coupling installation



R soft tube installation

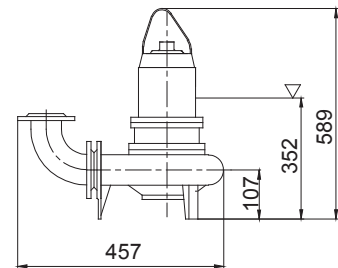
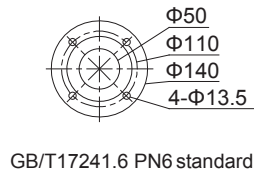


A



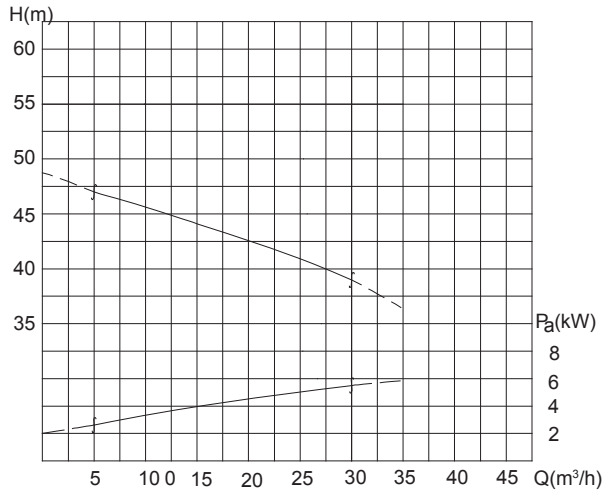
Y hard tube mobile installation

Flange size



50WQ/E15-44-5.5

Curves



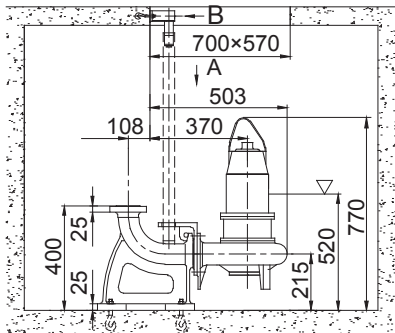
Discharge DN 50mm

Main parameter

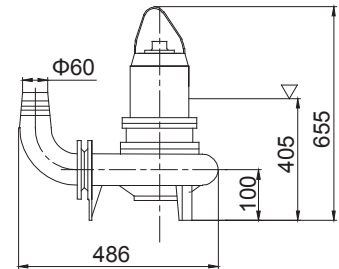
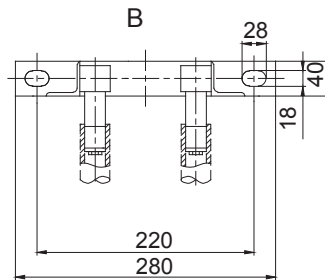
New model	Old model	Pass through channel (mm)	Rotation (r/min)	Weight (kg)
50WQ/E15-44-5.5	50WQ/E262-5.5	oval 26×39	2920	64.5
Motor rated power (kW)	Rated current (A)	Motor power cosΦ	Motor efficiency (%)	Torque/locked motor
5.5	11.1	0.88	85.5	2.0
Q-H	Small flow rate	Intermedium	Big flow rate	
	5-47	15-44	30-39	

Installation chart

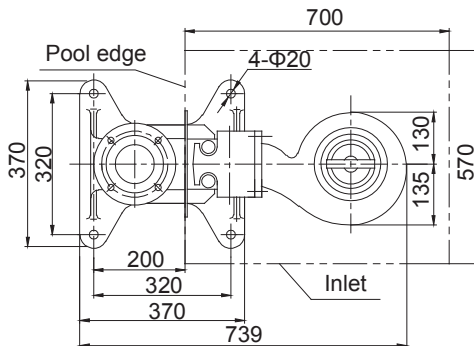
Z auto-coupling



R soft tube mobile installation

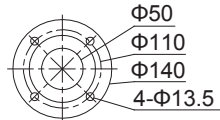


A

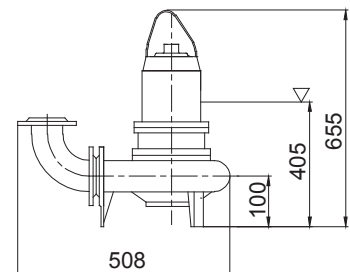


Y hard tube mobile installation

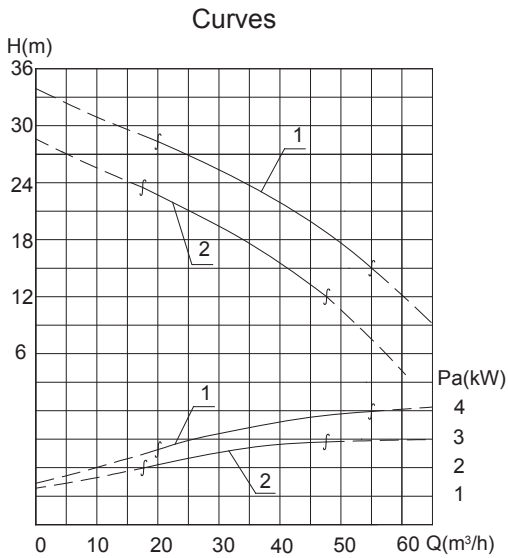
flange size



GB/T17241.6 PN6 standard



65WQ/E40-22-4 65WQ/E33-18-3



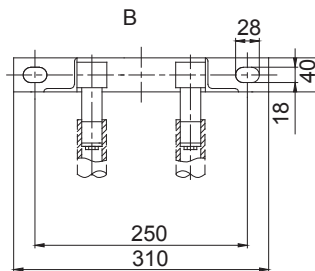
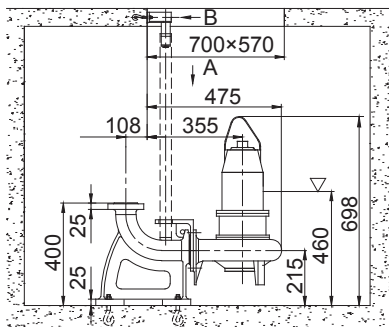
Discharge DN 65mm

Main parameter

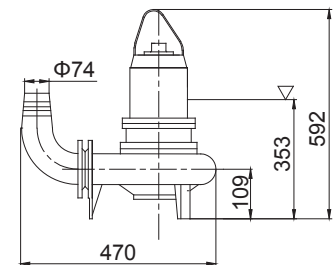
Serial No.	New model	Old model	Pass through channel (mm)	Rotation (r/min)	Weight (kg)
1	65WQ/E40-22-4	65WQ/E248-4	oval 33×40	2890	44
2	65WQ/E33-18-3	65WQ/E251-3	oval 33×40	2880	42
Serial No.	Motor rated power (kW)	Rated current (A)	Motor power cosΦ	Motor efficiency (%)	Torque/locked motor
1	4	8.2	0.87	85.5	2.2
2	3	6.4	0.87	82	2.2
	Q-H	Small flow rate	Intermedium	Big flow rate	
1	m³/h—m	20-28.4	40-22	55-15	
2		17.5-23.5	33-18	47.5-12	

Installation chart

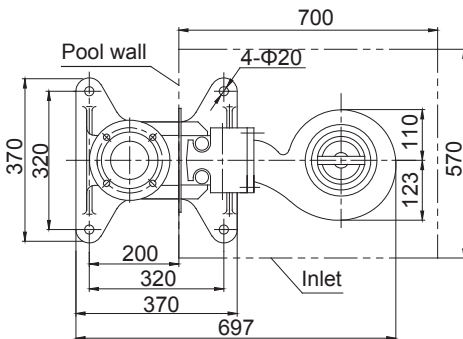
Z auto-coupling installation



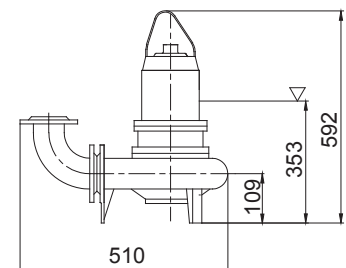
R soft tube mobile installation



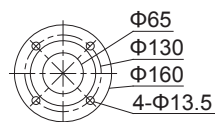
A



Y hard tube mobile installation

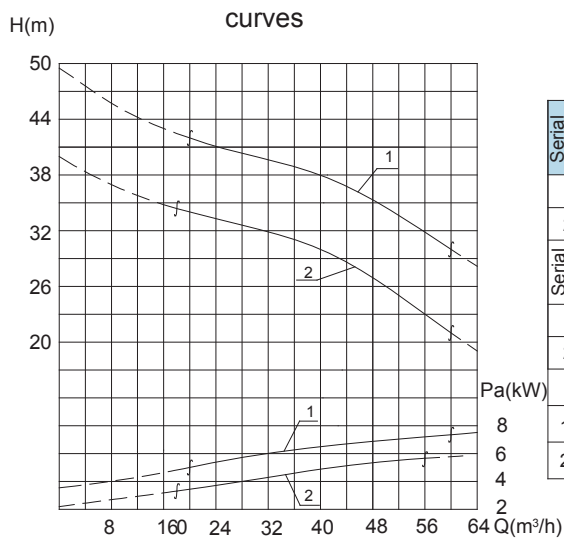


Flange size



GB/T17241.6 PN6 standard

65WQ/E40-38-7.5 65WQ/E40-30-5.5



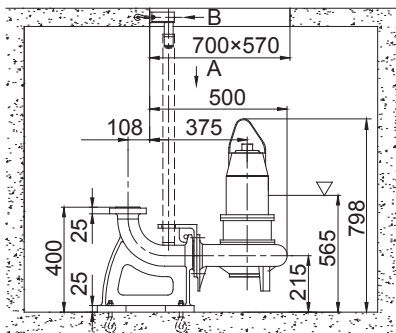
Discharge DN 65mm

Main parameter

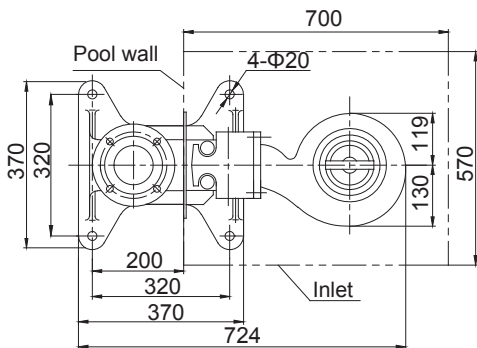
Serial No.	New model	Old model	Pass through channel (mm)	Rotation (r/min)	Weight (kg)
1	65WQ/E40-38-7.5	65WQ/E250-7.5	oval 33×40	2920	73
2	65WQ/E40-30-5.5	65WQ/E245-5.5	oval 33×40	2920	63
Serial No.	Motor rated power (kW)	Rated current (A)	Motor power cosΦ	Motor efficiency (%)	Torque/locked motor
1	7.5	15	0.88	86.2	2.0
2	5.5	11.1	0.88	85.5	2.0
	Q-H	Small flow rate	Intermedium	Big flow rate	
1	m³/h—m	20-42	40-38	60-30	
2		18-35	40-30	60-21	

Installation chart

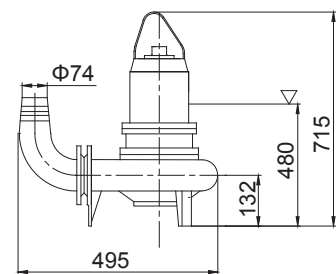
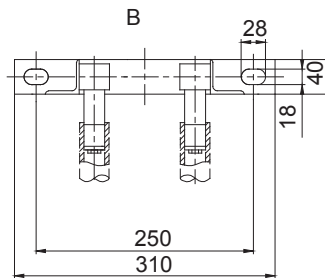
Z auto-coupling installation



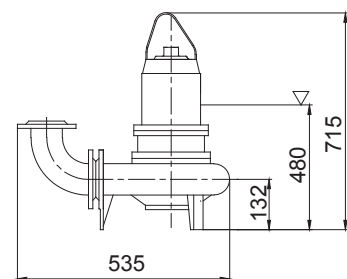
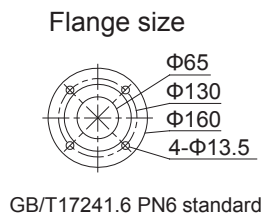
A 向



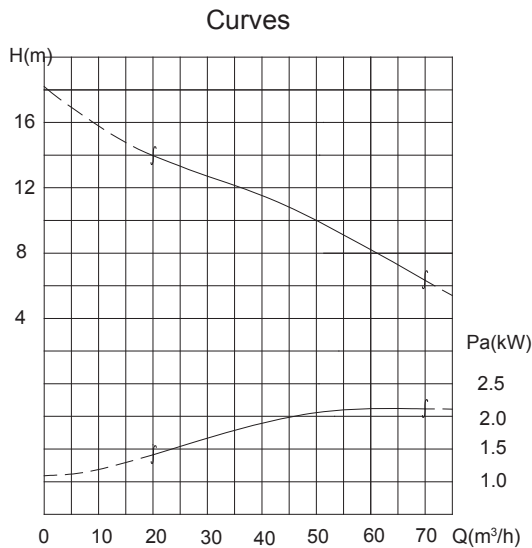
R soft tube mobile installation



Y hard tube mobile installation



80WQ/E50-10-2.2



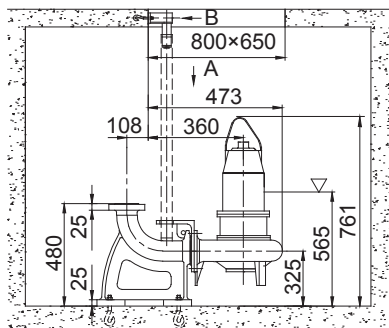
Discharge DN 80mm

Main parameter

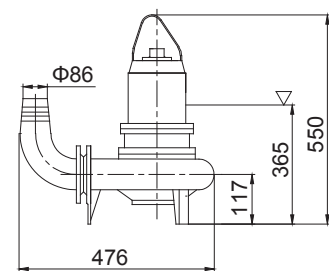
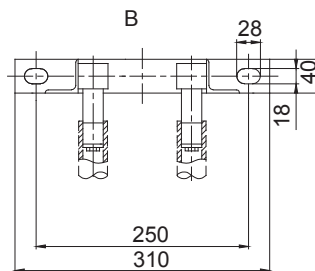
New model	Old model	Pass through channel (mm)	Rotation (r/min)	Weight (kg)
80WQ/E50-10-2.2	80WQ/E244-2.2	oval 48×36	2840	35
Motor rated power (kW)	Rated current (A)	Motor power cosΦ	Motor efficiency (%)	Torque/locked motor
2.2	4.7	0.86	82	2.2
Q-H	Small flow rate	Intermedium	Big flow rate	
m³/h—m	20-14	50-10	70-6.3	

Installation chart

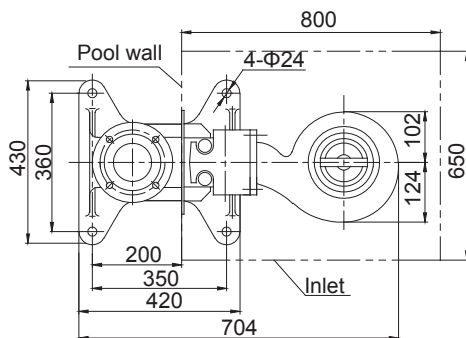
Z auto-coupling installation



R soft tube installation

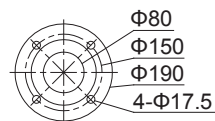


A

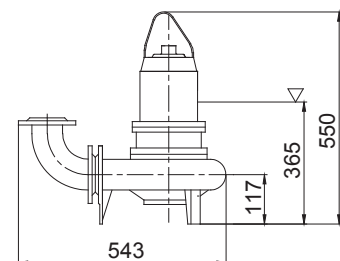


Y hard tube mobile installation tube

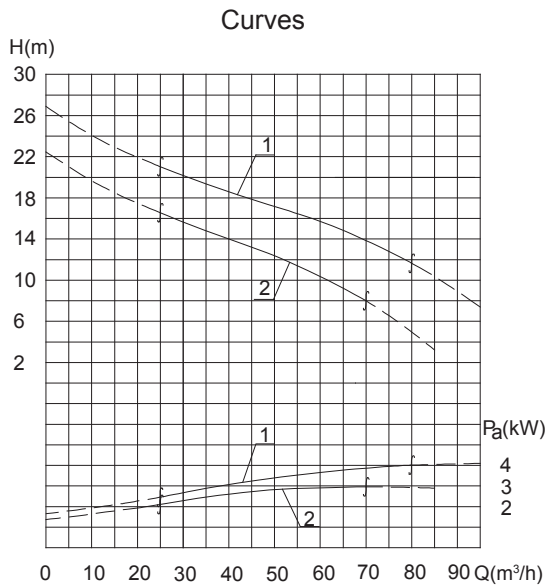
Flange size



GB/T17241.6 PN6 standard



80WQ/E58-16-4 80WQ/E52-12-3



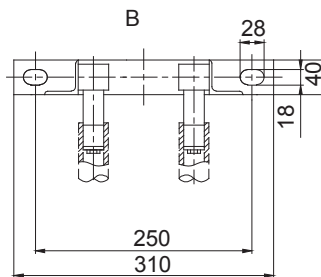
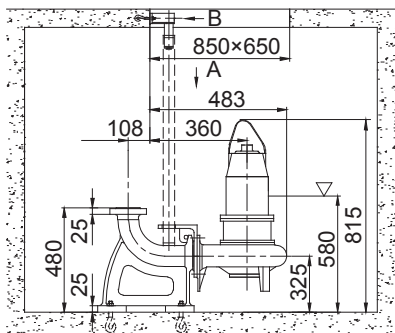
Discharge DN 80mm

Main parameter

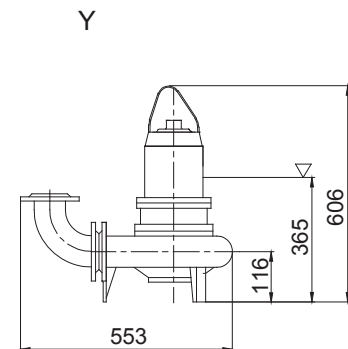
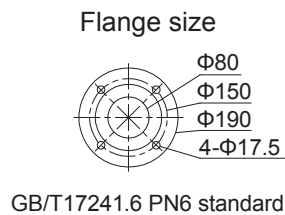
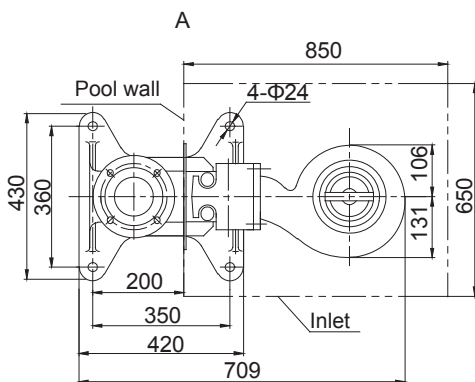
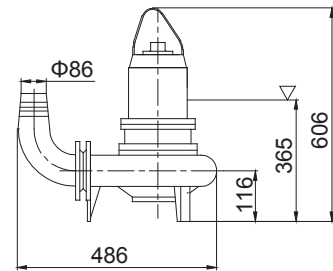
Serial No.	New model	Old model	Pass through channel (mm)	Rotation (r/min)	Weight (kg)
1	80WQ/E58-16-4	80WQ/E260-4	oval 45×40	2890	45
2	80WQ/E52-12-3	80WQ/E261-3	oval 45×40	2880	44
Serial No.	Motor rated power (kW)	Rated current (A)	Motor power cosΦ	Motor efficiency (%)	Torque/locked motor
1	4	8.2	0.87	85.5	2.2
2	3	6.4	0.87	82	2.2
	Q-H	Small flow rate	Intermedium	Big flow rate	
1	m³/h—m	25-21	58-16	80-11.7	
2		25-16.3	52-12	70-8	

Installation chart

Z auto-coupling installation chart

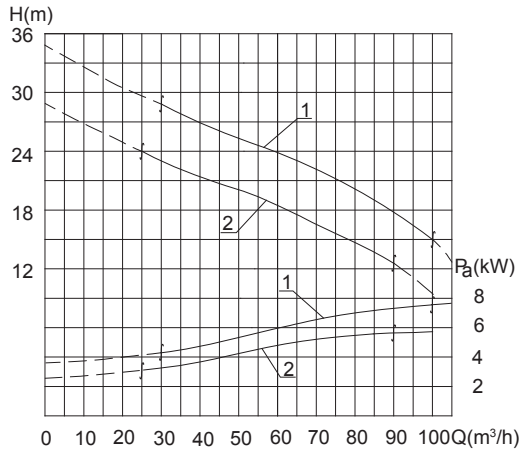


R soft tube mobile installation



80WQ/E70-22-7.5 80WQ/E60-19-5.5

Curves



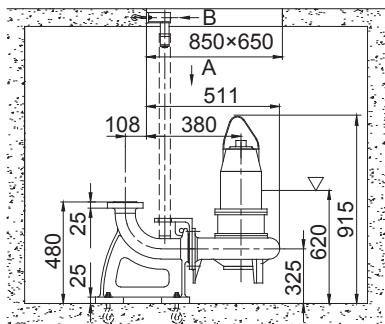
Discharge DN 80mm

Main parameter

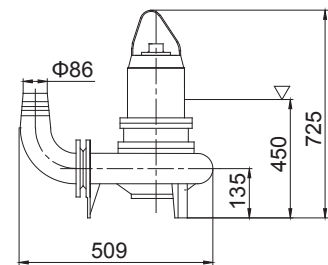
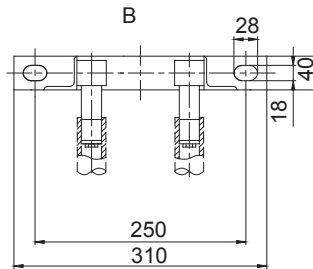
Serial No.	New model	Old model	Pass through channel (mm)	Rotation (r/min)	Weight (kg)
1	80WQ/E70-22-7.5	80WQ/E246-7.5	oval 49×39	2920	73
2	80WQ/E60-19-5.5	80WQ/E252-5.5	oval 49×39	2920	64.5
Serial No.	Motor rated power (kW)	Rated current (A)	Motor power cosΦ	Motor efficiency (%)	Torque/locked motor
1	7.5	15	0.88	86.2	2.0
2	5.5	11.1	0.88	85.5	2.0
	Q-H	Small flow rate	Intermedium	Big flow rate	
1	m³/h—m	30-29	70-22	100-15	
2		25-24	60-19	90-13	

Installation chart

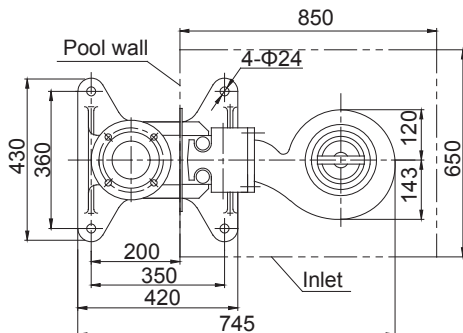
Z auto-coupling installation



R soft tube mobile installation

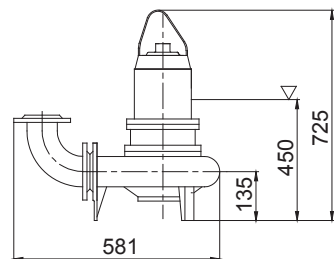
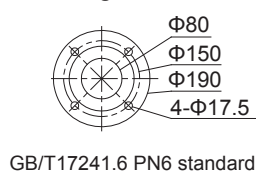


A

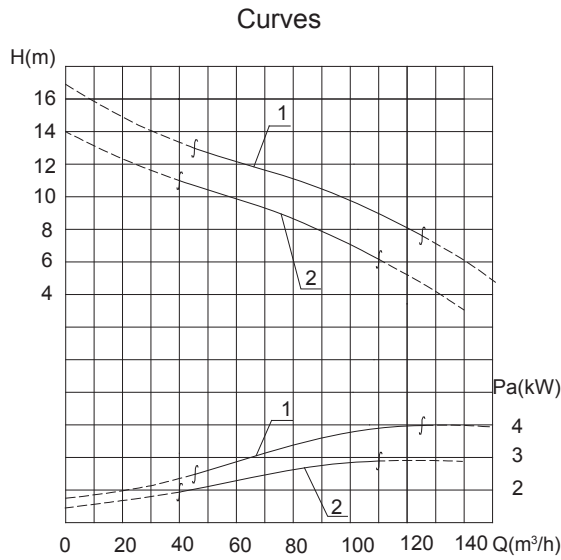


Y hard tube mobile installation

Flange size



100WQ/E80-11-4 100WQ/E75-9-3



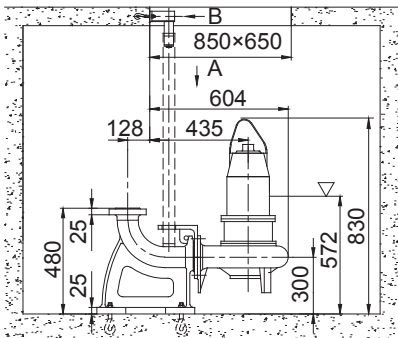
Discharge DN 100mm

Main parameter

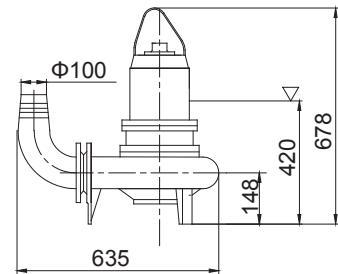
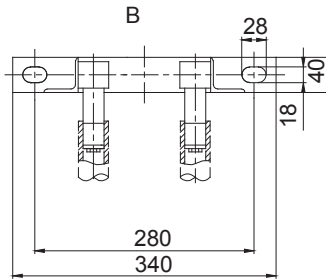
Serial No.	New model	Old model	Pass through channel (mm)	Rotation (r/min)	Weight (kg)
1	100WQ/E80-11-4	100WQ/E475-4	oval 61×63	1440	65
2	100WQ/E75-9-3	100WQ/E477-3	oval 61×63	1420	61
Serial No.	Motor rated power (kW)	Rated current (A)	Motor power cosΦ	Motor efficiency (%)	Torque/locked motor
1	4	8.8	0.82	84.5	2.2
2	3	6.8	0.81	82.5	2.2
	Q-H	Small flow rate	Intermedium	Big flow rate	
1	m³/h—m	45-13	80-11	125-7.6	
2		40-11	75-9	110-6.1	

Installation chart

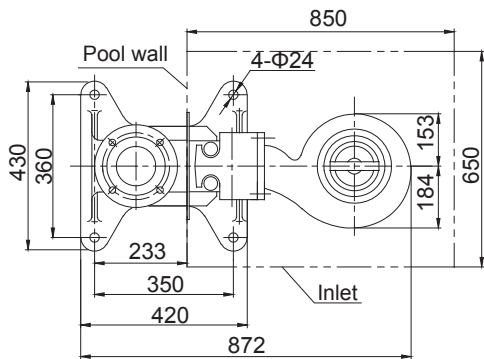
Z auto-coupling installation



R soft tube installation

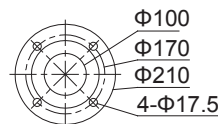


A

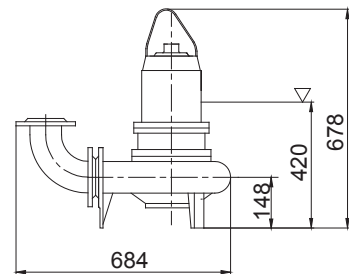


Y hard tube mobile installation

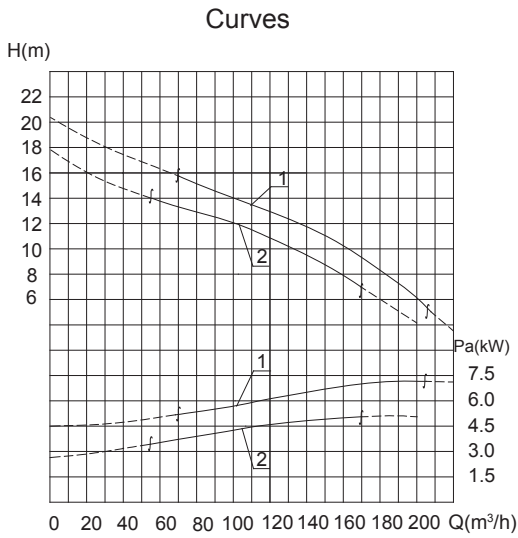
Flange size



GB/T17241.6 PN6 standard



100WQ/E150-11-7.5 100WQ/E130-10-5.5



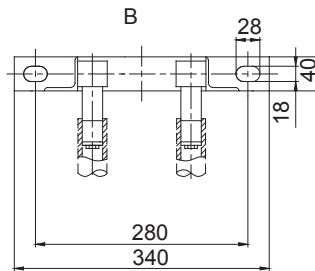
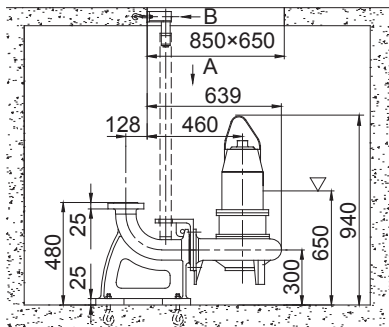
Discharge DN 100mm

Main parameter

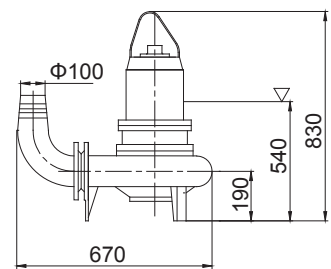
Serial No.	New model	Old model	Pass through channel (mm)	Rotation (r/min)	Weight (kg)
1	100WQ/E150-11-7.5	100WQ/E478-7.5	oval 72×64	1440	113
2	100WQ/E130-10-5.5	100WQ/E473-5.5	oval 72×64	1440	101
Serial No.	Motor rated power (kW)	Rated current (A)	Motor power cosΦ	Motor efficiency (%)	Torque/locked motor
1	7.5	15.4	0.85	87	2.2
2	5.5	11.6	0.84	85.5	2.2
	Q-H	Small flow rate	Intermedium	Big flow rate	
1	m³/h—m	70-16	150-11	200-6	
2		55-14	130-10	170-7	

Installation chart

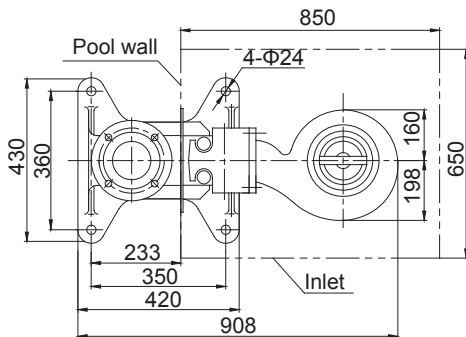
Z auto-coupling installation



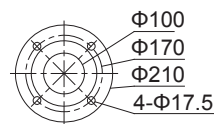
R soft tube installation



A

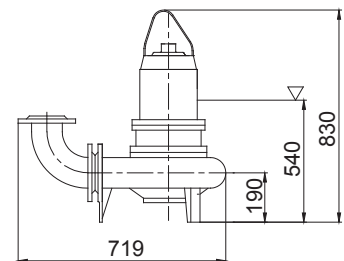


Flange size



GB/T17241.6 PN6 stadard

Y hard tube mobile installation



Where there is Kaiquan, there is water



www.kaiquangroup.com

SHANGHAI KAIQUAN PUMP (GROUP) CO., LTD.

Address: No. 4255/4287 Caoan Road. Shanghai

Group Call Center: 400-002-6600

www.kaiquan.com.cn

